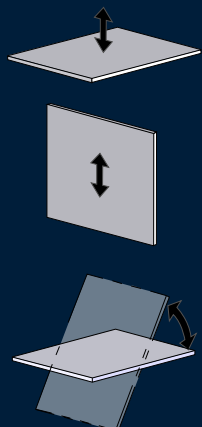
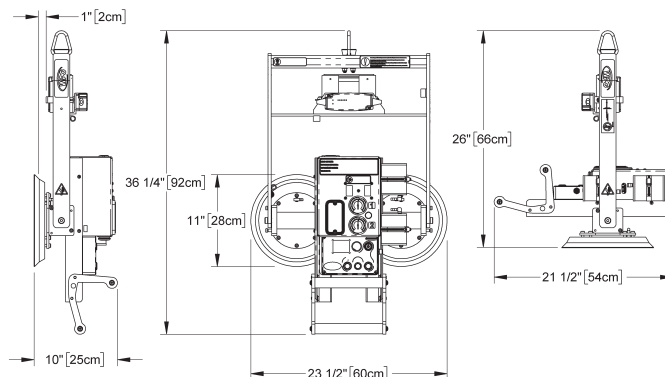


WOOD'S POWR-GRIP[®] MANUAL TILTER 300



MT210LDC3
300 lbs [135 kg]

With quick attach and release, these lifters enable ergonomic handling of heavy loads by a single operator. Now available with Intelli-Grip Technology[®].



ALWAYS IN MOVEMENT

Erhvervsparken 2
9500 Hobro
Danmark
Tlf. : 0045 98576060

www.jlmteknik.dk

Maximum Load Capacity	300 lbs [135 kg]
Intelli-Grip[®] Technology	Automatic self-testing ensures lifter is ready for use, every lift. Color display provides critically relevant information at a glance. Anticipates threats and alerts operator beforehand with clearly visible and audible warnings. Continuously monitors battery and prevents lifter from attaching to loads if energy is hazardously low. Multiple alarm levels plainly identify the severity of hazards.
Load Movement	Manual tilt, 90° between upright and flat
Standard Operating Power	12 volts DC, 5 amps
Standard Features	Intelli-Grip [®] Technology Dual vacuum system On-board battery and charger Battery energy gauge Low vacuum warning light Low vacuum/power loss warning buzzer with back-up battery Vacuum gauge Vacuum line filters Vacuum reserve tanks High-flow vacuum pump Low vacuum strobe light Green lift light Blow-off for quick release Two-action, push button release
Available Options	Flat lift model (FL210LDCS) Air (venturi) power system (MT210LAIRS) Alternative vacuum pads (Specifications not as listed above. Please contact us for more information): 11" [28 cm] diameter pad, lipped (G3370) 10" [25 cm] diameter concave pad (G0750) 10" [25 cm] diameter pad with replaceable sealing ring (VPFS10T) Alternative pad spread and capacities
Attach	4 seconds (approximately)
Release	2 seconds (approximately)
Lifter Weight	55 lbs [25 kg]
Standard Pad Spread	11" x 23 1/2" [28 cm x 60 cm]
Number / Size of Pads	2 / 10" [25 cm] dia. lipped
Design Standards	ASME B30.20 (BTH-1 Design Category "B", Service Class "0") CE AS 4991-2004 (See www.WPG.com for more information.)
Based on product information at time of publication. Environmental conditions can affect product performance and longevity; consult the product instructions on WPG.com or contact a Technical Sales Representative for more information.	

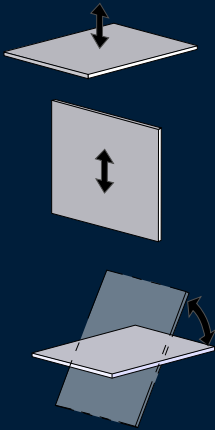
JLMteknik is a proud Distributor of Wood's Powr-Grip products.



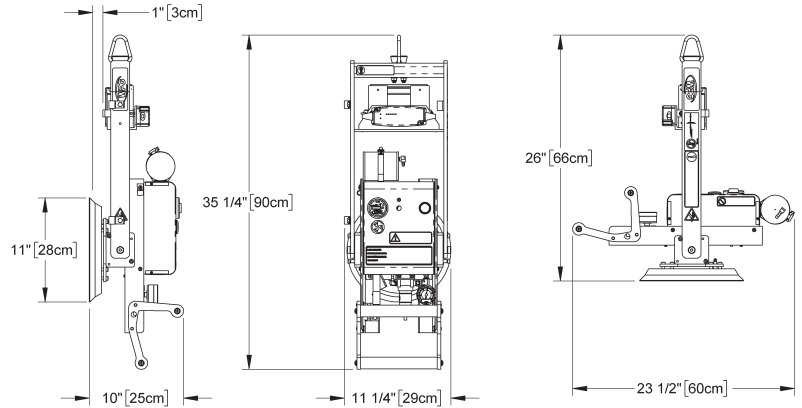
WOOD'S POWR-GRIP[®] MANUAL TILTER 150



MT110LDC
150 lbs [70 kg]



With a single vacuum pad for quick attachment and release, this Powr-Grip[®] vacuum lifter enables ergonomic handling of heavy loads by a single person.



Maximum Load Capacity	150 lbs [70 kg]
Load Movement	Manual tilt, 90° between upright and flat
Standard Operating Power	12 volts DC, 10 amps (Other voltages available)
Alternate Power Systems	AC power system (MT110LACS) Air (venturi) power system (MT110LAIRS) (Specifications may not be as listed above. Please contact us for more information.)
Standard Features	Low vacuum warning light Low vacuum warning buzzer Vacuum gauge Vacuum line filter Vacuum reserve tank On-board battery and charger Battery energy gauge
Available Options	Flat lift model (FL110LDC) 10" [25 cm] diameter concave vacuum pad (G0750) (Specifications not as listed above. Please contact us for more information)
Attach	2 seconds (approximately)
Release	3 seconds (approximately)
Lifter Weight	45 lbs [21 kg]
Standard Pad Spread	11" x 11-1/4" [28 cm x 29 cm]
Number / Size of Pads	1 / 10" [25 cm] dia. lipped
Design Standards	ASME B30.20 (BTH-1 Design Category "B", Service Class "0") CE (See www.WPG.com for more information.)

Based on product information at time of publication. Environmental conditions can affect product performance and longevity; consult the product instructions on WPG.com or contact a Technical Sales Representative for more information.

JLMteknik
ALWAYS IN MOVEMENT

Erhvervsparken 2
9500 Hobro
Danmark
Tlf. : 0045 98576060

www.jlmteknik.dk

JLMteknik is a proud Distributor of Wood's Powr-Grip products.