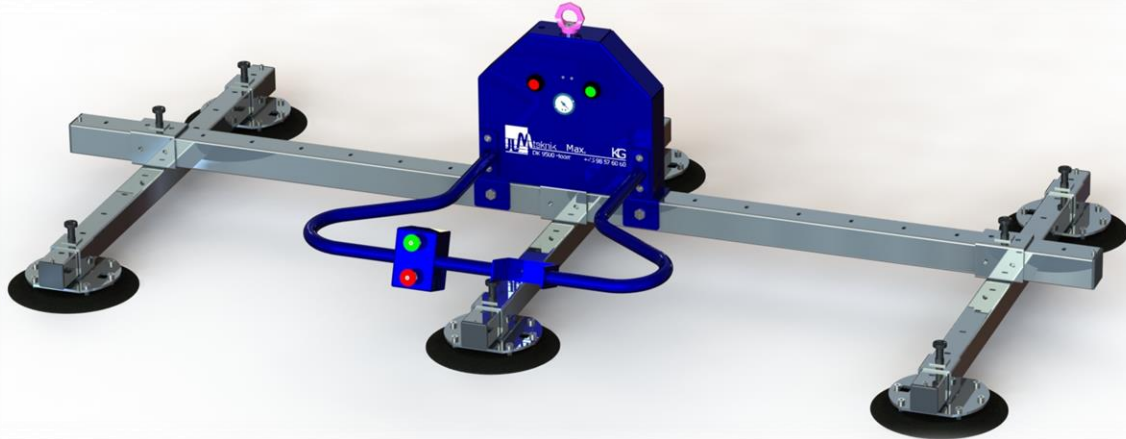
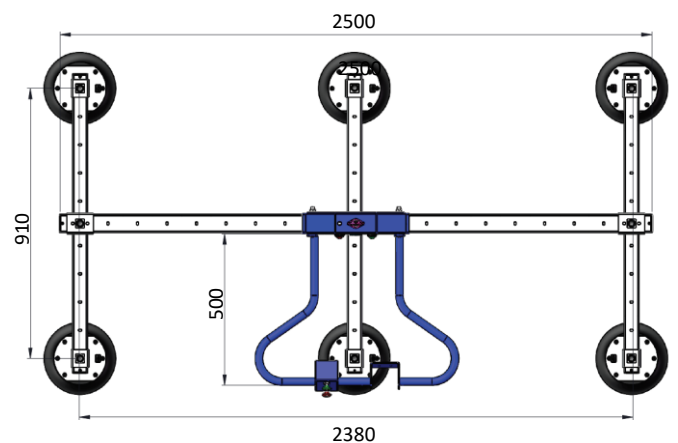
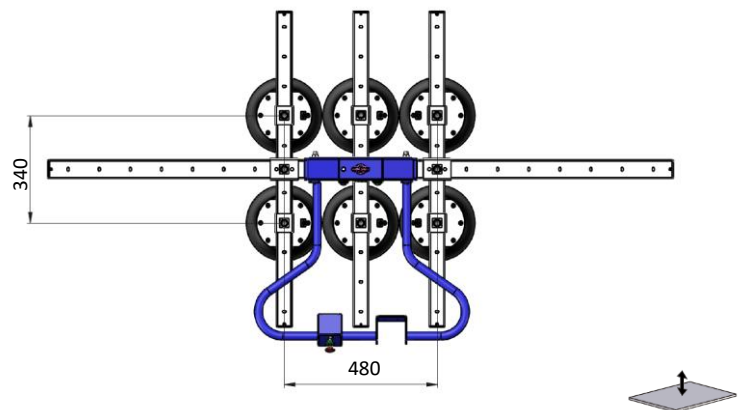


# Plate Lifting Yoke 6/500

Danish-made, user-friendly lifting yoke for lifting horizontal plates



- Lifting capacity of 500 kg
- Supplied with 6 pcs. 9" suction cups
- 30 mm overhang on suction cups
- Each suction cup can move 14 mm
- Holder for remote control for hoist
- Adjustable arms on the main boom and adjustable suction cups on the arms
- Plate size of up to 3000 x 1500 mm with a minimum weight of 15 kg
- Buttons for turning the vacuum on and off
- Built-in safety switch for stopping (chain must be slack for release)
- When releasing, compressed air is blown into the suction cups so that the lifting yoke can be quickly lifted from the plate
- Vacuum gauge for vacuum level
- Supplied with compressed air of 6-6.5 bar
- CE approved and complies with 13155.
- Own weight of 60 kg



Accessories that can be purchased to the lifting yoke:

- **Air saving kit**, that reduces air usage.
- **Valves on the suction cups**, so that plates in special shapes can be lifted.
- **Longer handle**, which measures 750 mm.
- **Suction cups**, for lifting textured plates.

